



**BXUV.P523**  
**Fire Resistance Ratings - ANSI/UL 263**

Page Bottom

**Fire Resistance Ratings - ANSI/UL 263**

See General Information for Fire Resistance Ratings - ANSI/UL 263

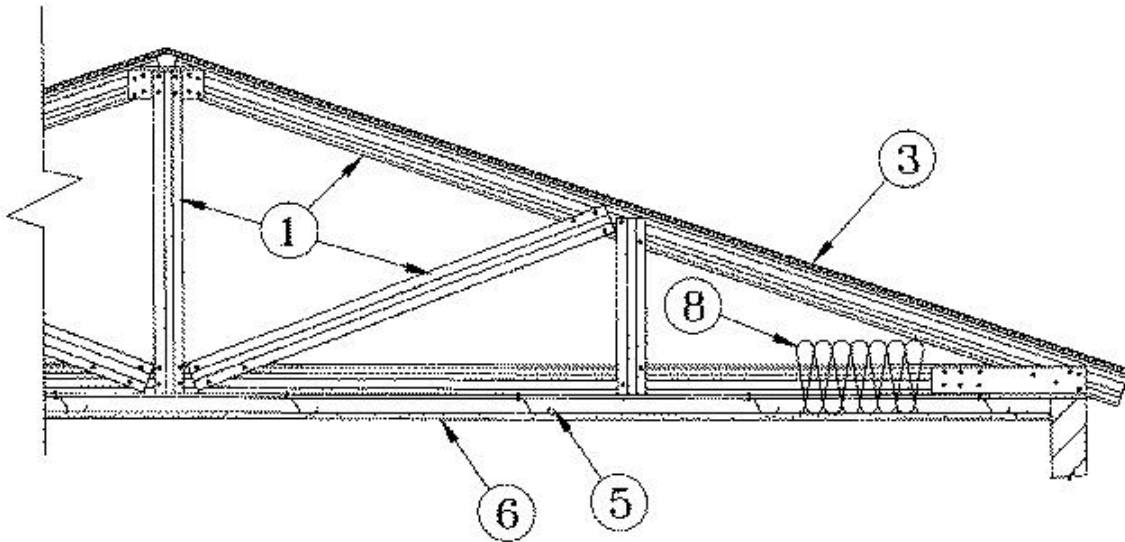
Design No. P523

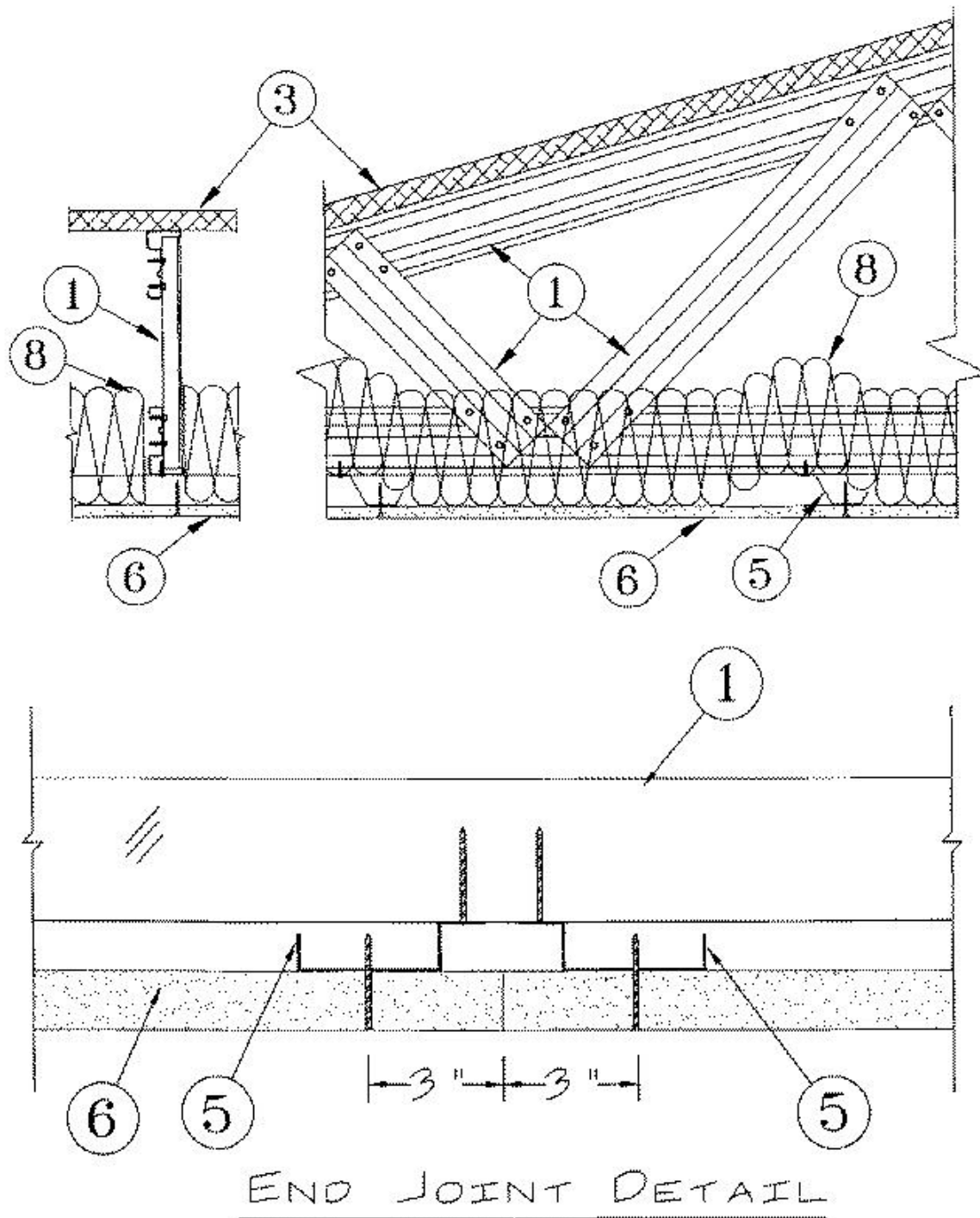
March 21, 2007

Restrained Assembly Rating — 1 and 1-1/2 Hr (See Items 6, 8 )

Unrestrained Assembly Rating — 1 and 1-1/2 Hr (See Items 6, 8 and 8A )

Load Restricted for Canadian Applications — See Guide [BXUV7](#)





1. **Structural Steel Members\*** — Pre-fabricated light-gauge steel truss system consisting of cold-formed, galvanized steel chord and web sections. Trusses fabricated in various sizes, depths and from various steel thicknesses. Trusses spaced a max of 48 in. OC.

**AEGIS METAL FRAMING L L C** — Ultra-Span, Pre-fabricated Light Gauge Steel Truss System

2. **Bridging** — (Not Shown) — Location of lateral bracing for truss chord and web sections to be specified on truss engineering.

3. **Roof system\*** — Any UL Class A, B or C Roofing System (TGFU) or Prepared Roof Covering (TFWZ) acceptable for use over nom 23/32 in. thick wood structural panels, min grade "C-D" or "Sheathing" . Nom 23/32 in. thick wood structural panels mechanically fastened to top chord of steel trusses with fasteners spaced a max of 12 in. OC. As an option, the

wood structural panels may be installed to min 20 ga. steel purlins or steel hat channels. Steel purlins or hat channels to be spaced a max 24 in. OC and welded or mechanically fastened, transverse to steel roof trusses (Item 1).

**3A. Steel Roof Deck** — Not Shown — In lieu of, or in addition to the wood structural panels described in Item 3, the steel roof deck may consist of corrugated or fluted steel form units, minimum 9/16 in. deep, 22 MSG painted or galv steel, welded or mechanically fastened at a max. 12 in. OC to the top chord of the roof trusses (Item 1). When used in addition to the wood structural panels described in Item 3, Batts and Blankets (Item 8) is optional. When used lieu of the wood structural panels described in Item 3, Batts and Blankets (Item 8) must be used and the Class A, B or C Roofing System must include a min 3/4 in. thickness of roof insulation or 1/2 in. thickness of Classified or unclassified gypsum boards. If polystyrene roof insulation is used, it must be installed on top of a min 1/2 in. thickness of Classified or unclassified gypsum boards .

**3B. Steel Floor and Form Units\*** — As an alternate to Item 3A — min 25 MSG painted or galv units welded or mechanically fastened max 12 in. OC to the top chord of trusses (Item 1). When used in addition to the wood structural panels described in Item 3, Batts and Blankets (Item 8) is optional. When used lieu of the wood structural panels described in Item 3, Batts and Blankets (Item 8) must be used and the Class A, B or C Roofing System must include a min 3/4 in. thickness of roof insulation or 1/2 in. thickness of Classified or unclassified gypsum boards. If polystyrene roof insulation is used, it must be installed on top of a min 1/2 in. thickness of Classified or unclassified gypsum boards.

**LOADMASTER SYSTEMS INC** — Types HD, ED or PS.

**3C. Structural Cement-Fiber Units\*** — Not Shown — In lieu of the wood structural panels described in Item 3, steel roof deck and structural cement-fiber units may be installed. The steel roof deck is to consist of corrugated or fluted steel form units, minimum 9/16 in. deep, 22 MSG painted or galv steel, welded or mechanically fastened at a max. 12 in. OC to the top chord of the roof trusses (Item 1). Nominal 19 mm (3/4 in.) thick structural cement-fiber units installed over the steel roof deck and secured to trusses with fasteners spaced a max of 12 in. OC. Batts and Blankets (Item 8) must be used and the Class A, B or C Roofing System must include application over structural cement-fiber units.

**US ARCHITECTURAL PRODUCTS INC** — Type Versaroc

**4. Vapor Barrier** — (Not Shown) — Optional — Commercial asphalt saturated felt, 0.030 in. thick, applied over the wood structural panels.

**5. Furring Channels** — Resilient channels formed of 25 MSG galv steel, installed perpendicular to the steel trusses (Item 1), spaced a max of 16 in. OC when no insulation (Item 8 or 8A ) is fitted in the concealed space, or a max of 12 in. OC when insulation (Item 8 or 8A ) is fitted in the concealed space, draped over the resilient channel/gypsum wallboard ceiling membrane. Two courses of resilient channel positioned 6 in. OC at wallboard butt-joints (3 in. from each end of wallboard). Channels oriented opposite at wallboard butt-joints. Channel splices overlapped 4 in. beneath steel trusses. Channels secured to each truss with Type S12 by 1/2 in. long screws.

**5A. Furring Channels** — (Not Shown) — As an alternate to Item 5 — Hat channels min 20 MSG galv steel, min 2-5/8 in. wide by min 7/8 in. deep, installed perpendicular to the trusses (Item 1) spaced a max of 16 in. OC. When no insulation (Item 8 or 8A) is fitted in the concealed space, or a max 12 in. OC when insulation (Item 8 or 8A) is fitted in the concealed space, draped over the hat channel/gypsum board ceiling membrane . Two courses of channel positioned 6 in. OC, 3 in. from each end of wallboard. Channel splices overlapped 6 in. beneath steel trusses. Channels secured to each truss with No. 18 SWG steel wire double strand saddle ties. Channels tied together with double strand of No. 18 SWG steel wire at each end overlap.

**5B. Furring Channels** — As an alternate to Items 5 and 5A , resilient channels, double legged formed of 25 MSG galv steel, 2-7/8 in. wide by 1/2 in. deep, installed perpendicular to the trusses (Item 1) spaced max 16 in. OC when no insulation (Item 8 or 8A ) is fitted in the concealed space, or a max of 12 in. OC when insulation (Item 8 or 8A ) is fitted in the concealed space, draped over the resilient channel/gypsum wallboard ceiling membrane. Two courses of resilient channel positioned 6 in. OC at wallboard butt-joints (3 in. from each end of wallboard). Channel splices overlapped 4 in. beneath steel trusses. Channels secured to each truss with Type S12 by 1/2 in. long screws or with No. 18 SWG galv steel wire double strand saddle ties. Channels tied together with double strand of No. 18 SWG galv steel wire at each end of overlap.

**6. Gypsum Board\*** — For the 1 Hr. Ratings - One layer of nom 5/8 in. thick by 48 in. wide boards, installed with long dimension parallel to trusses. Attached to the resilient channels using 1 in. long Type S bugle-head screws. Screws spaced a max of 12 in. OC along butted end-joints and in the field when no insulation (Item 8 or 8A ) is fitted in the concealed space or a max of 8 in. OC along butted end-joints and in the field when insulation (Item 8 or 8A ) is fitted in the concealed space, draped over the resilient channel/gypsum wallboard ceiling membrane. For the 1-1/2 Hr. Ratings - Two layers of nom 5/8 in. thick by 48 in. wide boards, installed with long dimension parallel to trusses. Base layer attached to the resilient channels using 1 in. long Type S bugle-head screws spaced a max of 8 in. OC along butted end-joints and in the field. Face layer attached to the resilient channels using 1-5/8 in. long Type S bugle-head screws spaced a max of 8 in. OC along butted end-joints and in the field. Screws staggered from base layer screws. Face layer side and end joints offset a min 16 in. from base layer side and end joints.

**CANADIAN GYPSUM COMPANY** — Types C, IP-X2, IPC-AR.

**UNITED STATES GYPSUM CO** — Types C, IP-X2, IPC-AR.

**USG MEXICO S A D E C V** — Types C, IP-X2, IPC-AR.

**7. Finishing System** — (Not shown) — Vinyl, dry or premixed joint compound, applied in two coats to joints and screw-heads; paper tape, 2 in. wide, embedded in first layer of compound over all joints. As an alternate, nom 3/32 in. thick veneer plaster may be applied to the entire surface of gypsum wallboard.

**8. Batts and Blankets\*** — Optional for the 1 Hr. Ratings - Any thickness mineral wool or glass fiber insulation bearing the UL Classification Marking for Surface Burning Characteristics, having a flame spread value of 25 or less and a smoke spread value of 50 or less. Insulation fitted in the concealed space, draped over the resilient channel/gypsum wallboard ceiling membrane. Mandatory for the 1-1/2 Hr. Ratings-Min 9-1/2 in. thick glass fiber insulation bearing the UL Classification Marking for Surface Burning Characteristics, having a flame spread value of 25 or less and a smoke spread value of 50 or less. Insulation fitted in the concealed space, draped over the resilient channel/gypsum wallboard ceiling membrane.

**8A. Loose Fill Material\*** — As an alternate to Item 8 — Optional for the 1 Hr. Ratings — Any thickness of loose fill material bearing the UL Classification Marking for Surface Burning Characteristics, having a flame spread value of 25 or less and a smoke spread value of 50 or less. Insulation fitted in the concealed space, draped over the resilient channel/gypsum wallboard ceiling membrane. Mandatory for the 1-1/2 Hr. Ratings - Min 9-1/2 in. thickness of loose fill material bearing the UL Classification Marking for Surface Burning Characteristics, having a flame spread value of 25 or less and a smoke spread value of 50 or less. Insulation fitted in the concealed space, draped over the resilient channel/gypsum wallboard ceiling membrane.

**Alternate Ceiling Membrane** — Not Shown.

**9. Steel Framing Members** —

a. **Main Runners** — Installed perpendicular to Structural Steel Members — Nom 10 or 12 ft long, 15/16 in. or 1-1/2 in. wide face, spaced 4 ft OC. Main runners hung a min of 2 in. from bottom chord of Structural Steel Members with 12 SWG galv steel wire. Wires located a max of 48 in. OC.

b. **Cross tees or channels** — Nom 4 ft long, 15/16 in. or 1-1/2 in. wide face, or cross channels, nom 4 ft long, 1-1/2 in. wide face, installed perpendicular to the main runners, spaced 16 in. OC. Additional cross tees or channels used at 8 in. from each side of butted wallboard end joints. The cross tees or channels may be riveted or screw-attached to the wall angle or channel to facilitate the ceiling installation.

c. **Wall angles or channels** — Used to support steel framing member ends and for screw-attachment of the gypsum wallboard — Min 0.016 in. thick painted or galvanized steel angle with 1 in. legs or min. 0.016 in. thick painted or galvanized steel channel with a 1 by 1-1/2 by 1 in. profile, attached to walls at perimeter of ceiling with fasteners 16 in. OC.

**CGC INC** — Type DGL or RX

**USG INTERIORS INC** — Type DGL or RX

**10. Gypsum Board\*** — For use with Steel Framing Members (Item 9) when Batts and Blankets\* (Item 8) are not used - One layer of nominal 5/8 in. thick by 48 in. wide boards, installed with long dimension parallel to the main runners. Wallboard fastened to each cross tee or channel with five wallboard screws, with one screw located at the midspan of the cross tee or channel, one screw located 12 in. from and on each side of the cross tee or channel mid span, and one screw located 1-1/2 in. from each wallboard side joint. Except at wallboard end joints, wallboard screws shall be located on alternating sides of cross tee flange. At wallboard end joints, wallboard screws shall be located 1/2 in. from the joint. Wallboard fastened to main runners with wallboard screws 1/2 in. from side joints, midway between intersections with cross tees or channels (16 in. OC). End joints of adjacent wallboard sheets shall be staggered not less than 32 in. Wallboard sheets screw attached to leg of wall angle with wallboard screws spaced 12 in. OC. Joints treated as described in Item 7. For use with **Steel Framing Members\*** (Item 9) when **Batts and Blankets\*** (Item 8) are used - Ratings limited to 1 Hour- 5/8 in. thick, 4 ft wide; installed with long dimension perpendicular to cross tees with side joints centered along main runners and end joints centered along cross tees. Fastened to cross tees with 1 in. long steel wallboard screws spaced 8 in. OC in the field and 8 in. OC along end joints. Fastened to main runners with 1 in. long wallboard screws spaced midway between cross tees. Screws along sides and ends of boards spaced 3/8 to 1/2 in. from board edge. End joints of the sheets shall be staggered with spacing between joints on adjacent boards not less than 4 ft OC.

**CANADIAN GYPSUM COMPANY** — Type C, IP-X2, IPC-AR

**UNITED STATES GYPSUM CO** — Type C, IP-X2, IPC-AR

**USG MEXICO S A D E C V** — Type C, IP-X2, IPC-AR

\*Bearing the UL Classification Mark

[Last Updated](#) on 2007-03-21

[Questions?](#)

[Notice of Disclaimer](#)

[Page Top](#)

Copyright © 2007 Underwriters Laboratories Inc.®

The appearance of a company's name or product in this database does not in itself assure that products so identified have been manufactured under UL's Follow-Up Service. Only those products bearing the UL Mark should be considered to be Listed and covered under UL's Follow-Up Service. Always look for the Mark on the product.

UL permits the reproduction of the material contained in the Online Certification Directory subject to the following conditions: 1. The Guide Information, Designs and/or Listings (files) must be presented in their entirety and in a non-misleading manner, without any manipulation of the data (or drawings). 2. The statement "Reprinted from the Online Certifications Directory with permission from Underwriters Laboratories Inc." must appear adjacent to the extracted material. In addition, the reprinted material must include a copyright notice in the following format: "Copyright © 2007 Underwriters Laboratories Inc.®"

An independent organization working for a safer world with integrity, precision and knowledge.

