

**CITY OF NEW YORK  
DEPARTMENT OF BUILDINGS**

Pursuant to Administrative Code Section 27-131, the following equipment or material has been found acceptable for use in accordance with the Report of the Material and Equipment Acceptance (MEA) Division.

**Patricia J. Lancaster, F.A.I.A., Commissioner**

**MEA 454-04-M**

**Report of Material and Equipment Acceptance Division**

**Manufacturer- US Architectural Products Inc., 55 Industrial Circle, Lincoln, Rhode Island 02865.**

**Trade Name-Versaroc Floor Assembly.**

**Product- Two hours fire rated floor/ceiling assembly.**

**Pertinent Code Section(s)- 27-323, 27-324.**

**Prescribed Test(s)- RS 5-2 (ASTM E-119).**

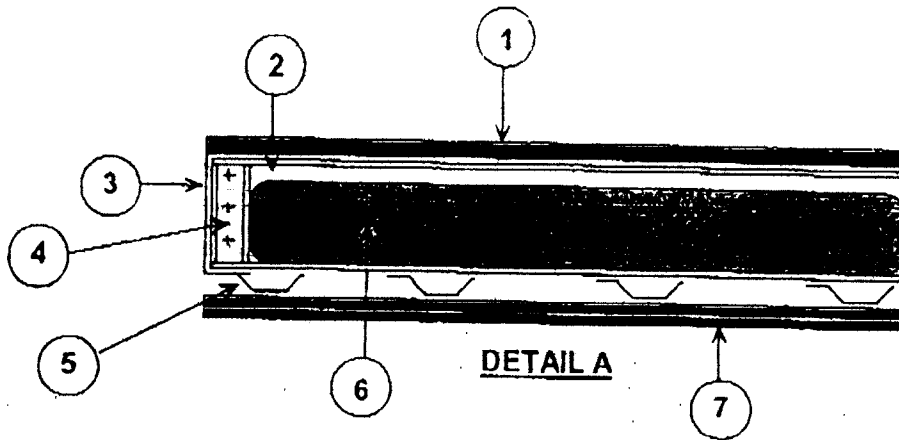
**Laboratory- VTEC Laboratories Inc.**

**Test Report- V100-2016 dated 16 Sept 04.**

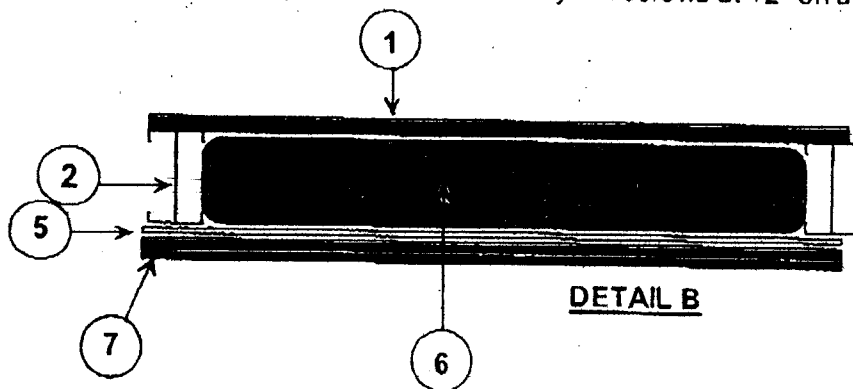
**Description- Non-combustible floor ceiling assemblies as per sketches attached utilizing 19mm Versaroc and two layers of 5/8 thick Type "X" gypsum board in achieving fire resistance rating in accordance with VTEC Laboratories Report V100-2016.**

**Fire Resistance Rating:  
Restrained Assembly – 2 hour**

2 HOUR FIRE RATED (ASTM E119) LOAD BEARING VERSAROC FLOOR ASSEMBLY



1. VERSAROC Cement Board, 19mm (3/4" nominal) minimum thickness screw fastened direct to steel framing with #8 x 1-5/8" ITW Buildex S-12 Rock-On Climacoat screws.. Fastener spacing 12" o.c. along steel 'C' joists and at perimeter.
2. Galvanized steel 'C' joists, 8" minimum depth x 18 gauge minimum thickness x 1-5/8" minimum flange width. Joists spaced at 24" o.c. maximum. Double joists only at ends of panel.
3. Galvanized steel 'perimeter channel' receiving ends of 'C' joists, 18 gauge minimum. Screw fastened to top & bottom flange of 'C' joist with #10 x 1/2" corrosion resistant self-drilling 'Tek' screws.
4. Galvanized steel web stiffener, 3-5/8" x 18 gauge, placed inside 'C' joist flange and screw attached to web of 'C' joist with three #10 x 1/2" corrosion resistant self-drilling 'Tek' screws.
5. Galvanized single leg resilient furring channel, 1/2" deep x 25 gauge minimum at 16" o.c. screw fastened to bottom flange of 'C' joist with #10 x 1/2" corrosion resistant self-drilling 'Tek' screws.
6. Mineral wool insulation, 4 lbs. pcf density x 4" thick x 24" wide batts in joist cavity.
7. Double layer of 5/8" Type 'X' gypsum board, screw fastened to resilient furring channels with #6 x 1" drywall screws at 12" o.c at 1st. layer, and #6 x 1-5/8" drywall screws at 12" on at 2nd. layer.



DETAILS NOT TO SCALE

Drawing 6 of 7  
Drawn By: RWC  
Date: 07/25/2004

**Recommendation-** That the above described non-combustible floor/ceiling assembly be accepted as having the fire resistance rating indicated, provided that the assembly is constructed in accordance with the testing laboratory's requirements and manufacturer's recommendations. This acceptance does not include structural adequacy of floor/ceiling design, which must be checked for particular structures for compliance with the Building Code at the time of plan examination by department engineers. All shipments and deliveries of the above accepted material shall be accompanied by a certificate or label certifying that the material shipped or delivered are equivalent to those tested and acceptable for use, as provided for in Section 27-131 of the Building Code.

Final Acceptance Jan 28 / 2005

Examined By S. D. [Signature]