

**CITY OF NEW YORK
DEPARTMENT OF BUILDINGS**

Pursuant to Administrative Code Section 27-131, the following equipment or material has been found acceptable for use in accordance with the Report of the Material and Equipment Acceptance (MEA) Division.

Patricia J. Lancaster, F.A.I.A., Commissioner

MEA 455-04-M

Report of Material and Equipment Acceptance Division

**Manufacturer- US Architectural Products Inc. 55 Industrial Circle, Lincoln, ,
Rhode Island 02865.**

Trade Name- Versaroc Floor Assembly.

Product- One-hour fire rated floor/ceiling assembly.

Pertinent Code Section(s)- 27-323, 27-324.

Prescribed Test(s)- RS 5-2 (ASTM E-119).

Laboratory- VTEC Laboratories Inc.

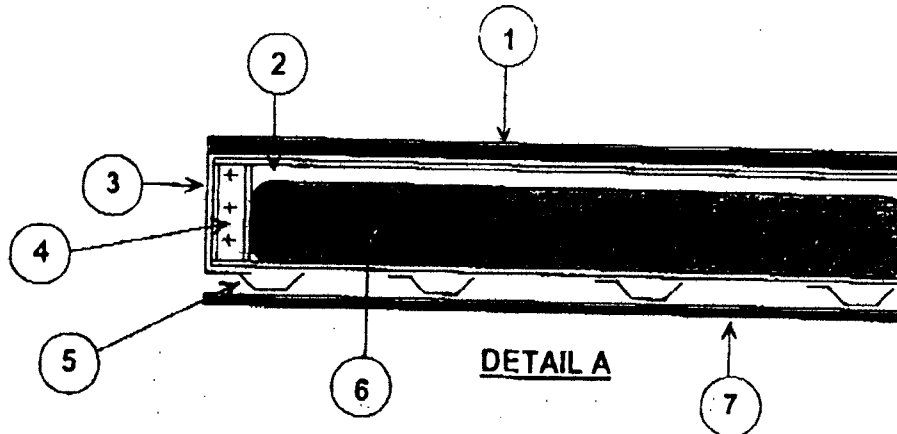
Test Report- V100-2017 dated September 14, 2004..

Description- Non-combustible floor ceiling assemblies as per sketches attached utilizing 19mm Versaroc and one layer of 5/8 inch thick Type "X" gypsum board in achieving fire resistance rating in conjunction with VTEC Laboratories Report No. V100 2017.

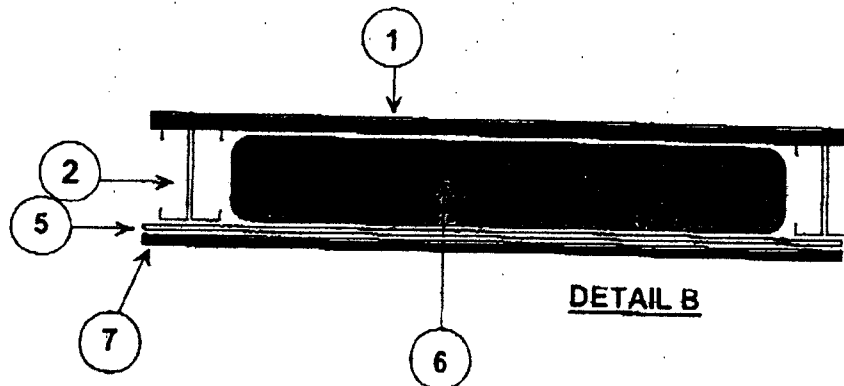
Fire Resistance Rating:

Restrained Assembly – 1 hour

1 HOUR FIRE RATED (ASTM E119) LOAD BEARING VERSAROC FLOOR ASSEMBLY



1. VERSAROC Board, 19mm (3/4" nominal) minimum thickness screw fastened direct to steel framing with #8 x 1-5/8" ITW Buildex S-12 Rock-On Climacoat screws.. Fastener spacing 12" o.c. along steel 'C' joists and at perimeter.
2. Galvanized steel 'C' joists, 8" minimum depth x 18 gauge minimum thickness x 1-5/8" minimum flange width. Joists spaced at 24" o.c. maximum. Double joists only at end of panel.
3. Galvanized steel 'perimeter channel' receiving ends of 'C' joists, 18 gauge minimum. Screw fastened to top & bottom flange of 'C' joist with #10 x 1/2" corrosion resistant self-drilling 'Tek' screws.
4. Galvanized steel web stiffener, 3-5/8" x 18 gauge. placed inside 'C' joist flange and screw attached to web of 'C' joist with three #10 x 1/2" corrosion resistant self-drilling 'Tek' screws.
5. Galvanized single leg resilient furring channel, 1/2" deep x 25 gauge minimum at 16" o.c. screw fastened to bottom flange of 'C' joist with #10 x 1/2" corrosion resistant self-drilling 'Tek' screws.
6. Mineral wool insulation 4 lbs. pcf density x 4" thick x 24" wide batts in joist cavity..
7. Single layer of 5/8" Type 'X' gypsum board, screw fastened to resilient furring channels with #6 x 1" drywall screws at 12" o.c.



DETAILS NOT TO SCALE

Drawing 5 of 6
 Drawn By: RWC
 Date: 09/07/2004

Recommendation- That the above described non-combustible floor/ceiling assembly be accepted as having the fire resistance rating indicated, provided that the assembly is constructed in accordance with the testing laboratory's requirements and manufacturer's recommendations. This acceptance does not include structural adequacy of floor/ceiling design, which must be checked for particular structures for compliance with the Building Code at the time of plan examination by department engineers. All shipments and deliveries of the above accepted material shall be accompanied by a certificate or label certifying that the material shipped or delivered are equivalent to those tested and acceptable for use, as provided for in Section 17-131 of the Building Code.

Final Acceptance January 28/2005
Examined By S. D. [Signature]