

**CITY OF NEW YORK
DEPARTMENT OF BUILDINGS**

Pursuant to Administrative Code Section 27-131, the following equipment or material has been found acceptable for use in accordance with the Report of Materials and Equipment Acceptance (MEA) Division.

**Satish K. Babbar, R.A., Acting Commissioner
MEA 254-00-M Vol. II**

Report of Material and Equipment Acceptance Division

**Manufacturer - Amanco Group of Companies, Avenue del Ferrocarril 16-67, Zona 12,
Guatemala City, Gualtemala.**

Trade Name - Plycem.

Product - Noncombustible 1 1/2 hour fire rated floor/ceiling assembly.

Pertinent Code Section(s) - 27-323, 27-324.

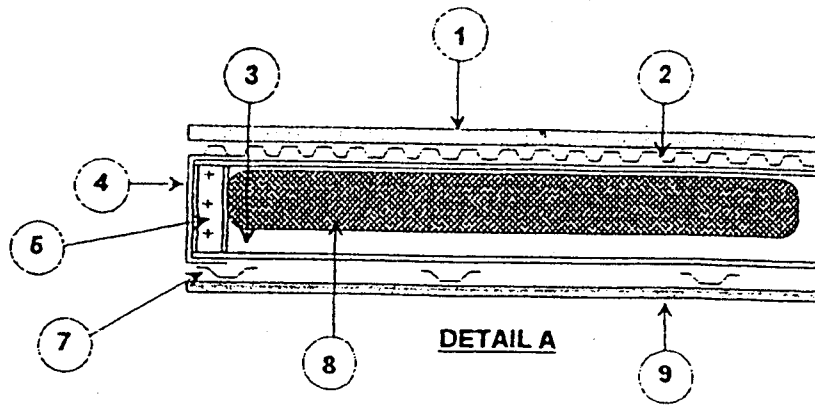
Prescribed Test(s) - RS 5-2 (ASTM E119).

Laboratory - VTEC Laboratories Inc.

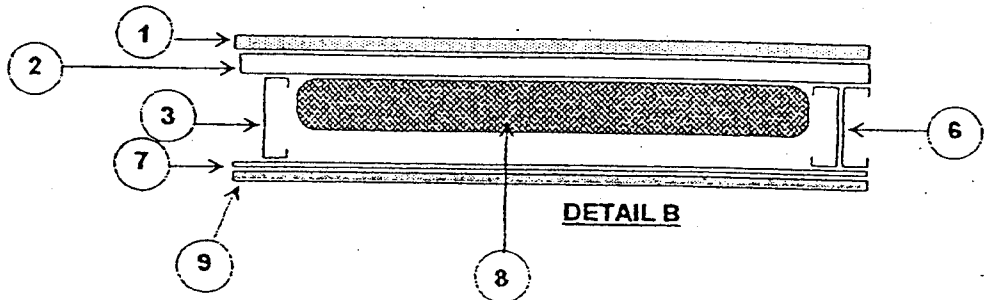
Test Report(s) - Report No. V100-1222, dated September 7, 2000.

Description - Noncombustible floor/ceiling assemblies, as per sketches below utilizing the Plycem Fiber Reinforced Cement Board and one layer of accepted 5/8 inch thick Firecode Type 'C' gypsum board in achieving the fire resistance ratings listed below and in accordance with VTEC Laboratories Project No.V100-391.

**Fire Resistance Ratings:
Restrained Assembly - 2 Hr.**



1. Plycem Fiber Reinforced Cement Board, 20mm (3/4" nominal) minimum thickness screw fastened to metal deck with #10 x 1-1/2" corrosion resistant self-drilling 'Tek' screws. Fastener spacing 12" o.c.
2. Galvanized steel metal deck, 22 gauge minimum x 1-1/2" deep, Type 'B'. Screw fastened in valley of flutes with #10 x 1/2" corrosion resistant self-drilling 'Tek' screws at 12" o.c. along joist flanges.
3. Galvanized steel 'C' joists, 8" minimum depth x 18 gauge minimum thickness x 1-5/8" minimum flange width. Joists spaced at 24" o.c. maximum.
4. Galvanized steel 'perimeter channel' receiving ends of 'C' joists, 18 gauge minimum. Screw fastened to top & bottom flange of 'C' joist with #10 x 1/2" corrosion resistant self-drilling 'Tek' screws.
5. Galvanized steel web stiffener, 3-5/8" x 18 gauge, placed inside 'C' joist flange and screw attached to web of 'C' joist with three #10 x 1/2" corrosion resistant self-drilling 'Tek' screws.
6. Double galvanized steel 'C' joists at side wall.
7. Galvanized double leg resilient furring channel, 1/2" deep x 25 gauge minimum at 24" o.c. screw fastened to bottom flange of 'C' joist on one leg only with #10 x 1/2" corrosion resistant self-drilling 'Tek' screws.
8. U.S. Gypsum Thermo-Fiber insulation batts in joist cavity, 4" thick x 24" wide x 4 lbs. per cubic foot density.
9. Single layer of 5/8" Firecode Type 'C' gypsum board, screw fastened to resilient furring channels with #6 x 1-1/4" drywall screws at 12" o.c.



Recommendation - That the above described noncombustible floor/ceiling assembly be accepted as having the fire resistance rating indicated, provided that the assembly is constructed in accordance with the testing laboratory's requirements and manufacturer's recommendations. This acceptance does not include structural adequacy of floor/ceiling design which must be checked for particular structures for compliance with the Building Code at the time of plan examination by department engineers. All shipments and deliveries of the above accepted material shall be accompanied by a certificate or label certifying that the material shipped or delivered are equivalent to those tested and acceptable for use, as provided for in Section 27-131 of the Building Code.

Final Acceptance OCT 27 2000
 Examined by S. Derkudam