

CITY OF NEW YORK  
DEPARTMENT OF BUILDINGS

Pursuant to Administrative Code section 27-131, the following equipment or material has been found acceptable for use in accordance with the Report of the Material and Equipment Acceptance (MEA) Division.

Patricia J. Lancaster, A.I.A., Commissioner

MEA 210-03-M

Report of Material and Equipment Acceptance Division

Manufacturer – U.S. Architectural Products, Inc., 55 Industrial Circle, Lincoln, RI 02865.

Trade Name – Cem-Steel Floor Assembly.

Product – Cem-Steel fire rated floor assembly.

Pertinent Code Section(s) – 27-323, 27-324.

Prescribed Tests – RS 5-2 (ASTM E119).

Laboratory – VTEC Laboratories, Inc.

Test Report- V100-1719-2 dated May 7, 2003.

Description – Non-combustible floor ceiling assemblies as per sketches attached utilizing "Cem-Steel" (Plycem Fiber Reinforced Cement Board with steel sheet laminate) and one layer of 5/8 inch thick Type "X" gypsum board in achieving fire resistance rating listed in conjunction with previously rating per MEA 254-00-M Vol. II below and in accordance with VTEC Laboratories Project No. V100-1719-2.

Fire Resistance Rating: Restrained Assembly – 1 hour.

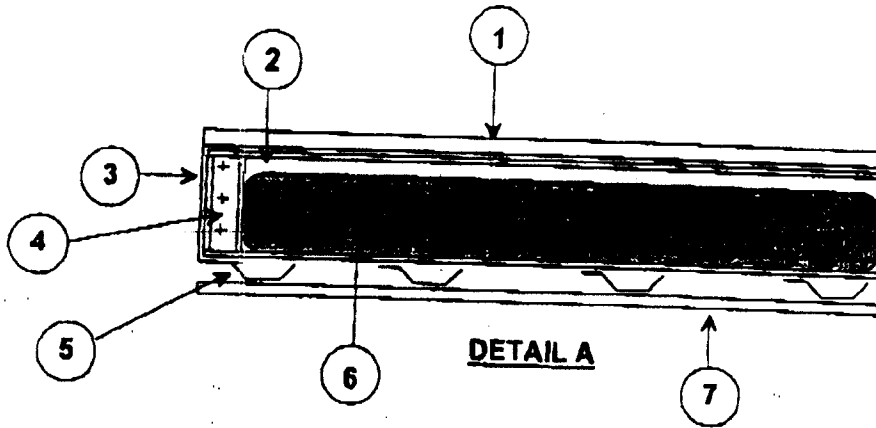
Recommendation – That the above described noncombustible floor/ceiling assembly be accepted as having the fire resistance rating indicated, provided that the assembly is constructed in accordance with the testing laboratory's requirements and manufacturer's recommendations. This acceptance does not include structural adequacy of floor/ceiling design which must be checked for particular structures for compliance with the Building Code at the time of plan examination by department engineers.

All shipments and deliveries of such materials shall be accompanied by a metal tag certifying that the materials shipped or delivered are equivalent to those tested and acceptable for use, as provided for in Section 27-131 of the Building Code.

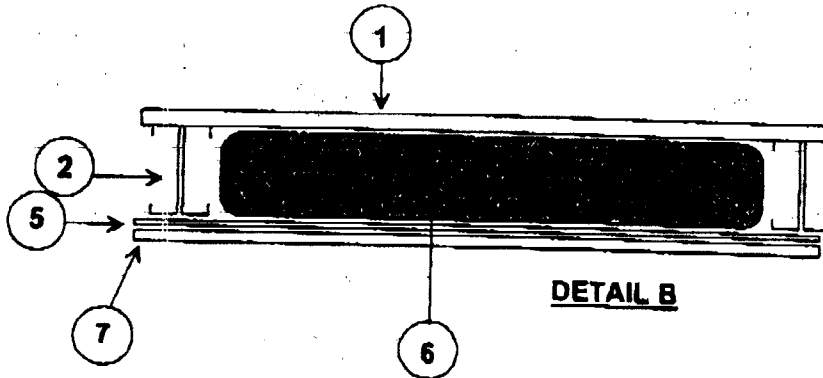
Final Acceptance AUG/26/03

Examined by S. D. [Signature]

**1 HOUR FIRE RATED (ASTM E119) LOAD BEARING CEM-STEEL FLOOR ASSEMBLY**



1. Cem-Steel Board, 17mm (5/8" nominal) minimum thickness screw fastened direct to steel framing with #8 x 1-5/8" ITW Buildex S-12 Rock-On Climacoat screws.. Fastener spacing 12" o.c. along steel 'C' joists and at perimeter.
2. Galvanized steel 'C' joists, 8" minimum depth x 18 gauge minimum thickness x 1-5/8" minimum flange width. Joists spaced at 24" o.c. maximum. Double joists only at end of panel.
3. Galvanized steel 'perimeter channel' receiving ends of 'C' joists, 18 gauge minimum. Screw fastened to top & bottom flange of 'C' joist with #10 x 1/2" corrosion resistant self-drilling 'Tek' screws.
4. Galvanized steel web stiffener, 3-5/8" x 18 gauge, placed inside 'C' joist flange and screw attached to web of 'C' joist with three #10 x 1/2" corrosion resistant self-drilling 'Tek' screws.
5. Galvanized single leg resilient furring channel, 1/2" deep x 25 gauge minimum at 16" o.c. screw fastened to bottom flange of 'C' joist with #10 x 1/2" corrosion resistant self-drilling 'Tek' screws.
6. Mineral wool insulation 2.5 lbs. pcf density x 3" thick x 24" wide batts in joist cavity..
7. Single layer of 5/8" Type 'X' gypsum board, screw fastened to resilient furring channels with #6 x 1" drywall screws at 12" o.c.



**DETAILS NOT TO SCALE**

Drawing 5 of 6  
 Drawn By: RWC  
 Date: 04/08/2003